

MC60 Linear Slide

Feature

1. Drive Mode: Ball Screw or Lead Screw
2. Max Speed: 300mm/sec Servo Motor; 30mm/sec (Step Motor)
3. Repeatability: ± 0.01 mm
4. Acceleration: 10m/s^2
5. Travel: 50-600mm
6. Load Capacity: 30Kg (Max)

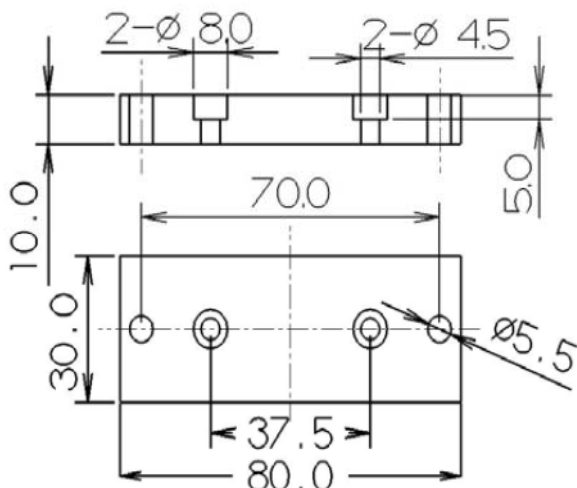
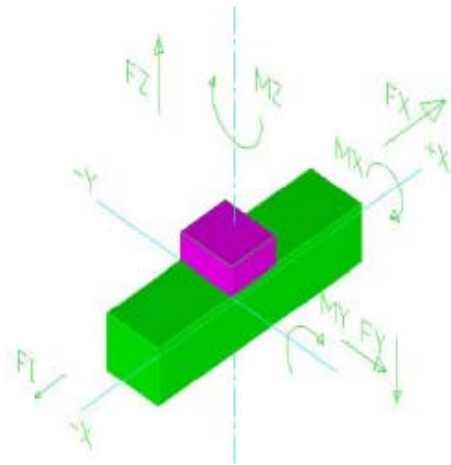
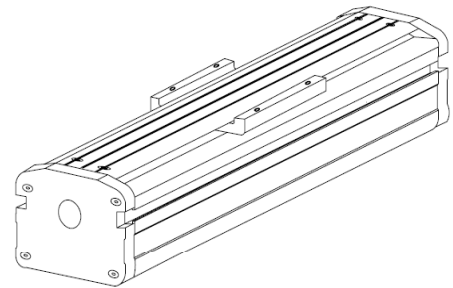


Part Code:

MC60 - A - 100L - 04 - P - KG5 - B0 - M1 - S0

1 2 3 4 5 6 7 8 9

1. Model: MC60
2. Motor installation style: A - Direct; B - Parallel
3. Table Travel: 50mm - 600mm
4. Screw Pitch: 4mm (the other option is 5mm)
5. Accuracy Class: P: precision C: Common
6. Load Capacity: 30Kg
7. Qty of mounting plate: 0-without mounting plate; 1-17 pcs
8. Qty of block: 1 (standard)
9. Limit Switch: S0 (without limit switch), S1, S2, S3



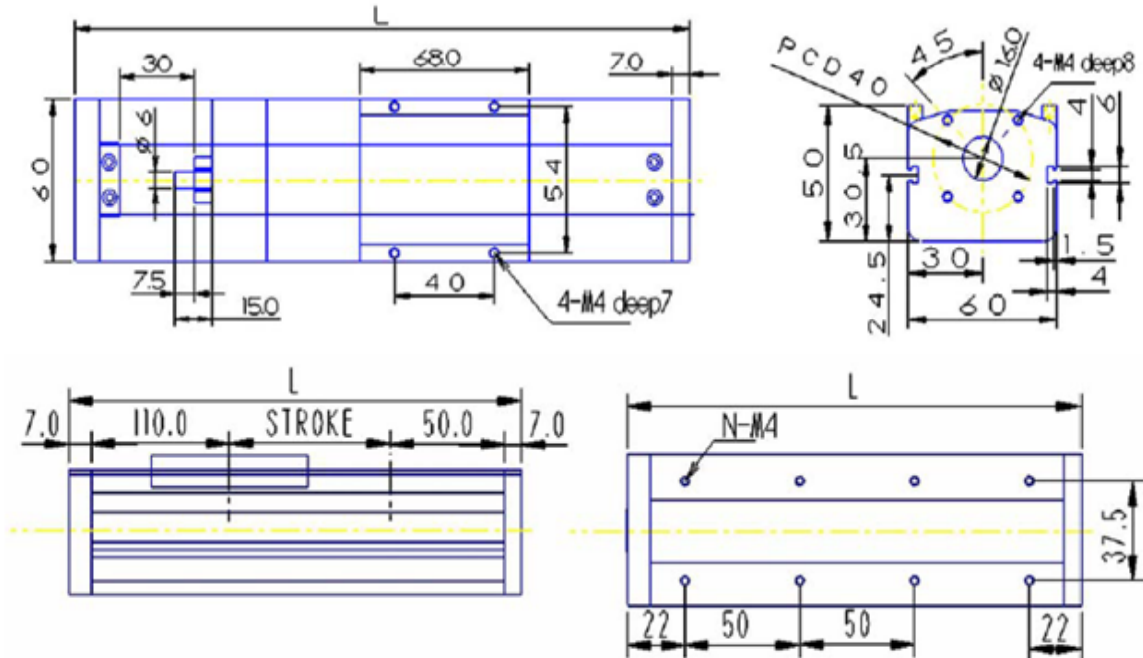
Slide Mounting Plate

	MC60
FX	30 kg
FY	30 kg
FZ	30 kg
MX	5 kg
MY	5 kg
MZ	5 kg

MC-60 SERIES (BALL SCREW)

MC60A Motor installation - Direct installation

X-STROKE (有效行程)	50	100	150	200	300	400	500	600
Length of L (總長)	244	294	344	444	544	644	744	794
Length of N (安裝孔)	5	6	7	9	11	13	15	17



MC60B Motor installation - Parallel installation

X-STROKE (有效行程)	50	100	150	200	300	400	500	600
Length of L (總長)	194	244	294	344	444	544	644	744
Length of N (安裝孔)	4	5	6	7	9	11	13	15

